



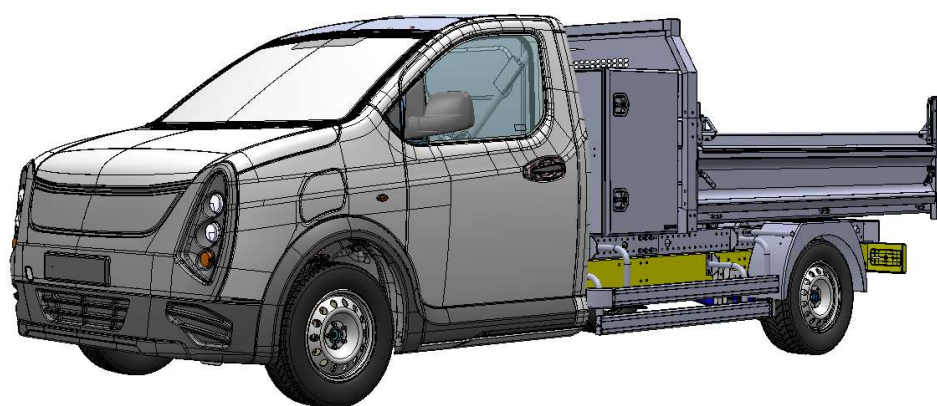
Tipper 2.60 m / 3.30 m

Now zero emission transportations on your building sites!

Beeway means working **electric**,

with a **high payload** capacity,

and up to **580 km** autonomy

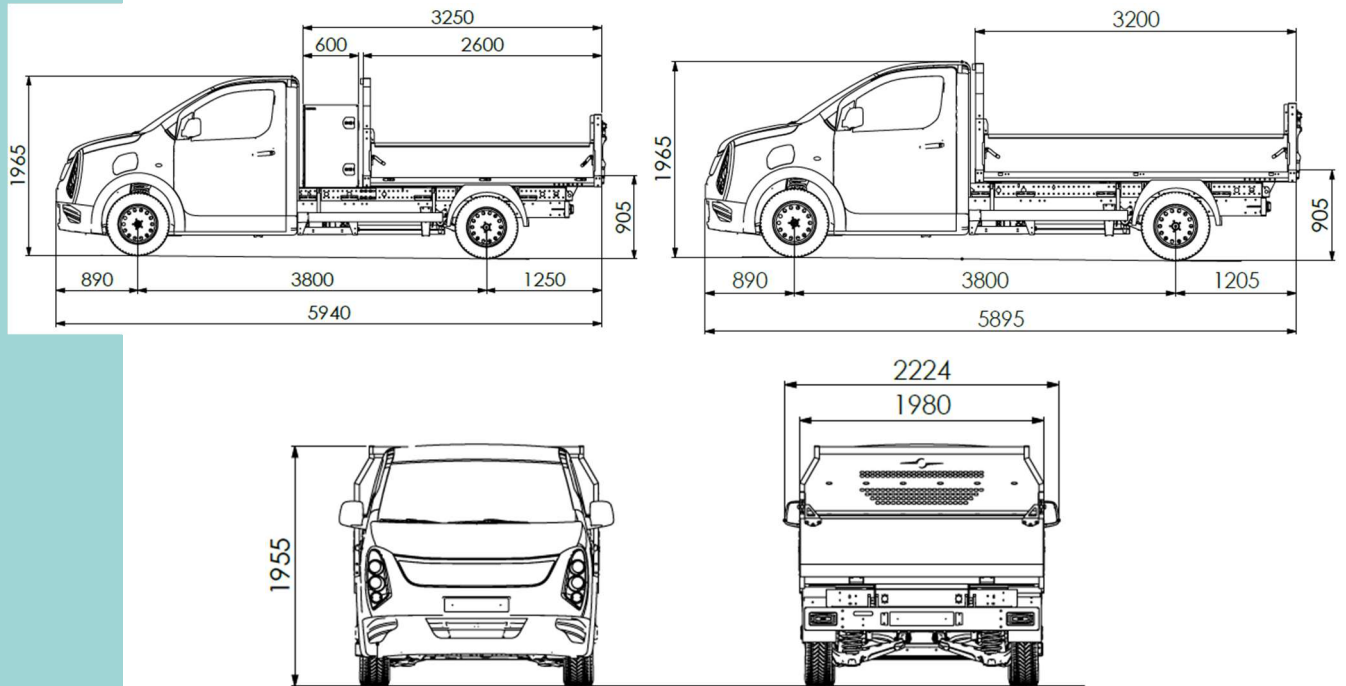


Two tipper dimensions with or without trunk

Made in France Aluminum or Steel	Tipper 2.60 m		Tipper 3.30 m	
	Ext.	Int.	Ext.	Int.
Length	2.64 m	2.59 m	3.30 m	3.25 m
Width	1.98 m	1.90 m	1.98 m	1.90 m
Hight	0.35 m	0.35 m	0.35 m	0.35 m
Trunk length	0.60 m	0.59 m		
Trunk width	1.95 m	1.86 m		
Trunk hight	0.90 m	0.83 m		
Front	Th. 2.5 mm, H 500 mm		Th. 2.5 mm, H 500 mm	
Floor	Th. 2.5 mm + renforts		Th. 4 mm + renforts	
Folding side panels	Alu th. 2.7 mm, H 350 mm		Alu th. 2.7 mm, H 350 mm	
Accessories included	Log door and 6 toolholders Protections on side panels and rear door Gussets of side panels Securing straps			
Options	Cabin interior control Three-way tipper			

Trunk, front and floor can be made of steel or aluminium depending on chosen model.

Dimensions



Beeway

Beeway model	B1.1	B1.2	B2	B3
Battery capacity	41 kWh	63 kWh	82 kWh	123 kWh
Length	5.95 m			
Width	1.96 m			
Height	1.96 m			
Gross Vehicle Weight	3t5			
Payload with steel tipper 3.3 m	1 260 kg	1 010 kg	1 010 kg	760 kg
Payload with aluminum steel tipper 3.3 m	1 420 kg	1 170 kg	1 170 kg	920 kg
Payload with steel tipper 2.6 m	1 130 kg	990 kg	990 kg	750 kg
Payload with aluminum tipper 2.6 m	1 300 kg	1 170 kg	1 170 kg	930 kg
Engine power	110 kW			
Maximum speed	90 km/h		110 km/h	
Autonomy range*	195 km	295 km	390 km	584 km
AC charge 9 kW**	3hr30	5hr30	7hr30	11hr
DC charge up to 150 kW**	36 mn	-	36 mn	36 mn

*Autonomy calculated based upon a WLTP urban cycle and depending on working conditions and driving conditions

** Charging time from 20 to 80% of battery capacity in standard temperature conditions. DC charger shall be able to deliver at least 100 kW