



Aerial work platform

Now zero emission mobility on your building sites!

Beeway means working electric,

with a high payload capacity,

and up to **580 km** autonomy

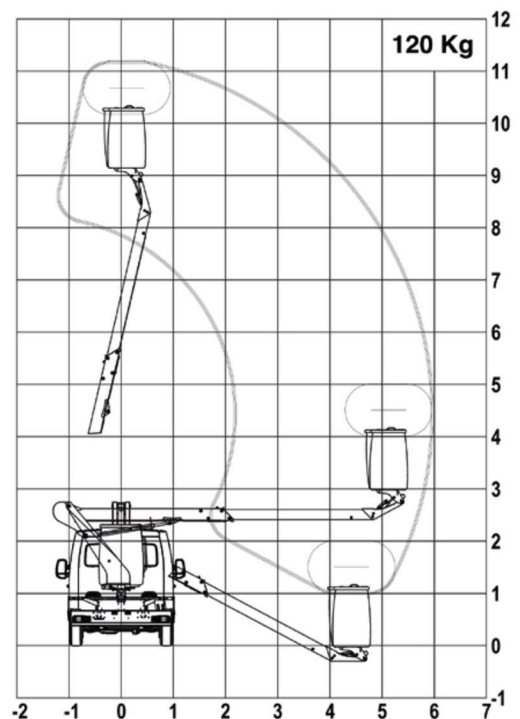


TOPY 11 aerial work platform by France Elévateur

Performance, reliability and frugality are the foundations of the TOPY 11 work platform

Work height	11,00 m
Floor height	9,10 m
Maximum offset	6,00 m
Aerial platform load	120 kg /1 person
Turret rotation	400°
Cant / Maximum slope during use	5% / 15%
Insulated polyester basket 1000 V with full opening	850 x 780 x 1150 mm

- Steel arm with 1 telescopic element
- Cable chain in the telescope
- Priority electro-hydraulic lower console
- Hydropower by electric pump unit
- Emergency manual pump
- Hour meter



Beeway is a trademark of LMI, a company registered at Le Mans CCI under nr. 878 757 111

LMI 20 rue Wilbur Wright, 72230 Mulsanne France

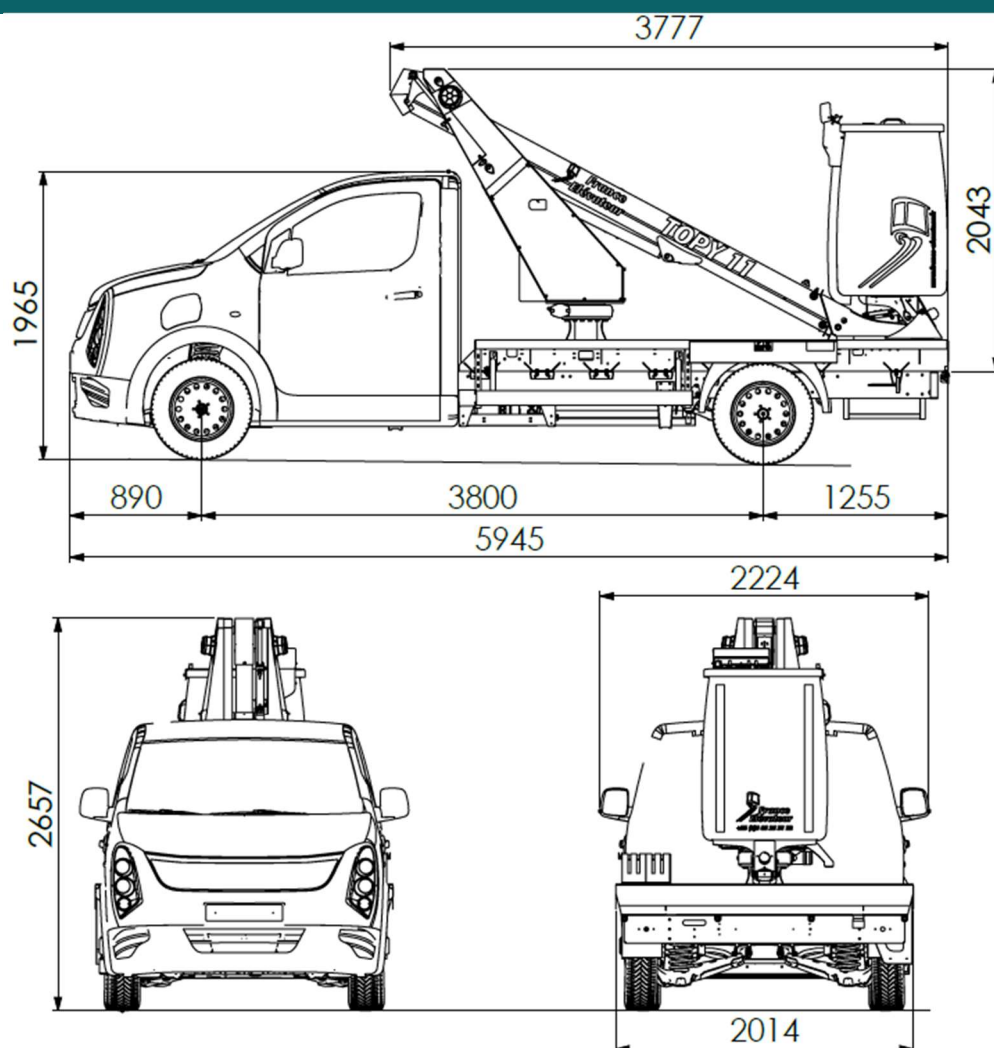
Contact: +33 2 49 54 06 64 contact@beeway.eu www.beeway.eu

This documentation is not binding. LMI reserves the right to amend the specifications and equipment of the vehicles with no prior notification

Version 1 – June 2024

Return to road position light in cab

Dimensions



Beeway

Model	Beeway B2	Beeway B3
Battery capacity	82 kWh	123 kWh
Length	5.95 m	
Width	1.98 m	
Height	1.98 m	
Gross Vehicle Weight	3t5	
Net payload (equipped)	835 kg	585 kg
Engine power	110 kW	
Maximum speed	110 km/h	
Autonomy range*	315 km	509 km
AC charge 9 kW**	7.30 hrs	11 hrs
DC Charge (station >100 kW)**	1.30 hrs	2.20 hrs

*Autonomy range calculated for 8hrs of operation with door openings, one WLTP cycle, and depending on the operating conditions and use

** In order to charge between 20 and 80% of the battery in moderate temperature.