

NOW
Zero emission
deliveries!



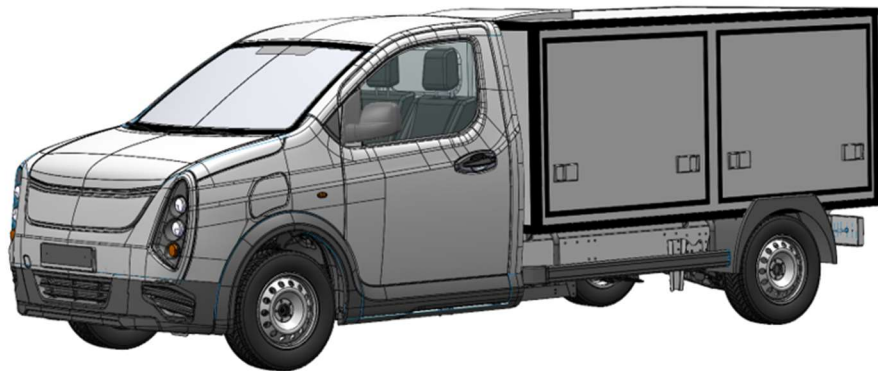
BEEWAY

Electric refrigerating truck 6 m³

8 hrs refrigeration while riding, but also during parking

Over **500 km** autonomy

Up to **835 kg** payload



Refrigerating bodywork

Made in France

ATP Cemafruid certificate

	Ext.	Int.
Length	3.26 m	3.08 m
Width	1.98 m	1.80 m
Height	1.29 m	1.10 m
Volume	6.10 m³	
Height ground-to-floor	76 cm	
Side doors	2 right side + 2 left side	
Lightning	2 ceiling lights LED	
Partition thickness	85 mm	
Floor thickness	95 mm	
Included accessories	Side guard 3 stop lights 1 year guarantee	
Options	Reversing camera Reversing radar	

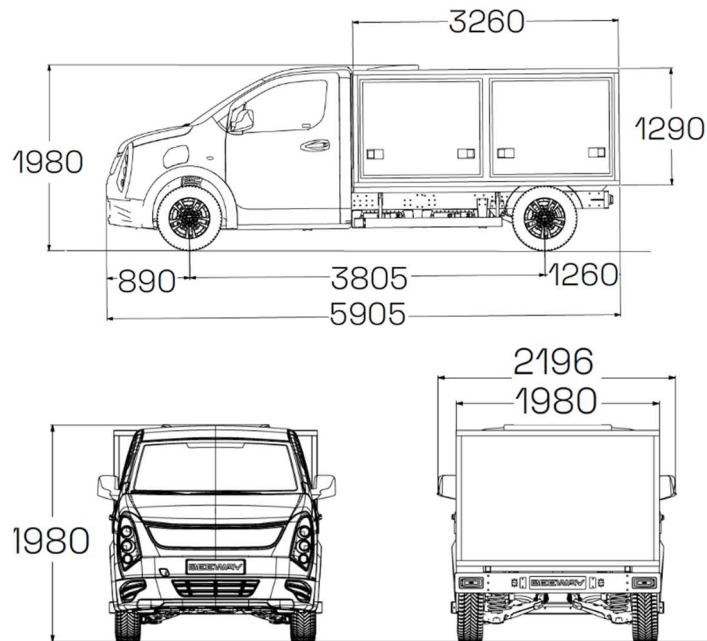
Cooling unit

THERMOKING: market leader in the transport refrigeration industry offering reliable and innovative products

Powered by the vehicle's battery or a standard home plug

Cooling in temperatures from 0 to 4°C with ATP certification

Dimensions



Beeway

Version	Beeway B2	Beeway B3
Battery capacity	82 kWh	123 kWh
Length	5.95 m	
Width	1.98 m	
Height	1.98 m	
Gross Vehicle Weight	3t5	
Net payload (equipped)	835 kg	585 kg
Engine power	110 kW	
Maximum speed	110 km/h	
Autonomy range*	315 km	509 km
AC charge 9 kW**	7.30 hrs	11 hrs
DC Charge (station >100 kW)**	1.30 hrs	2.20 hrs

*Autonomy range calculated for 8hrs of operation with door openings, one WLTP cycle, and depending on the operating conditions and use

** In order to charge between 20 and 80% of the battery in moderate temperature.