



# Waste collectors

... at last  
silent and  
decarbonized!

**Beeway** means working **electric**,

with a **high payload** capacity,

and up to **580 km** autonomy



## The waste collector

Made in Europe	SG*	6/6G*	6G <sup>2</sup>
	Aluminum collector	Aluminum collector	LC and aluminum collector
Collector length	3270	3270	3270
Collector int. width	1520	1710	1710
Collector ext. width	1700	1870	1870
Collector ext. height	1300	1300	1300
Volume	4.8 m <sup>3</sup>	5.5 m <sup>3</sup>	5.5 m <sup>3</sup>
Collector tilting angle	80°	80°	80°
Options	<ul style="list-style-type: none"> <li>- Right/Left/Right &amp; Left step</li> <li>-Right and left exterior controls</li> <li>- On-board weighing for invoicing of the collection service at the end of a round (incentive fee for the collected bins) with identification of the chipped bins</li> <li>-GPS for transmission of live information during the collection round</li> <li>-Automatic centralized or remote manual lubrication</li> <li>- Green waste collector</li> </ul>		



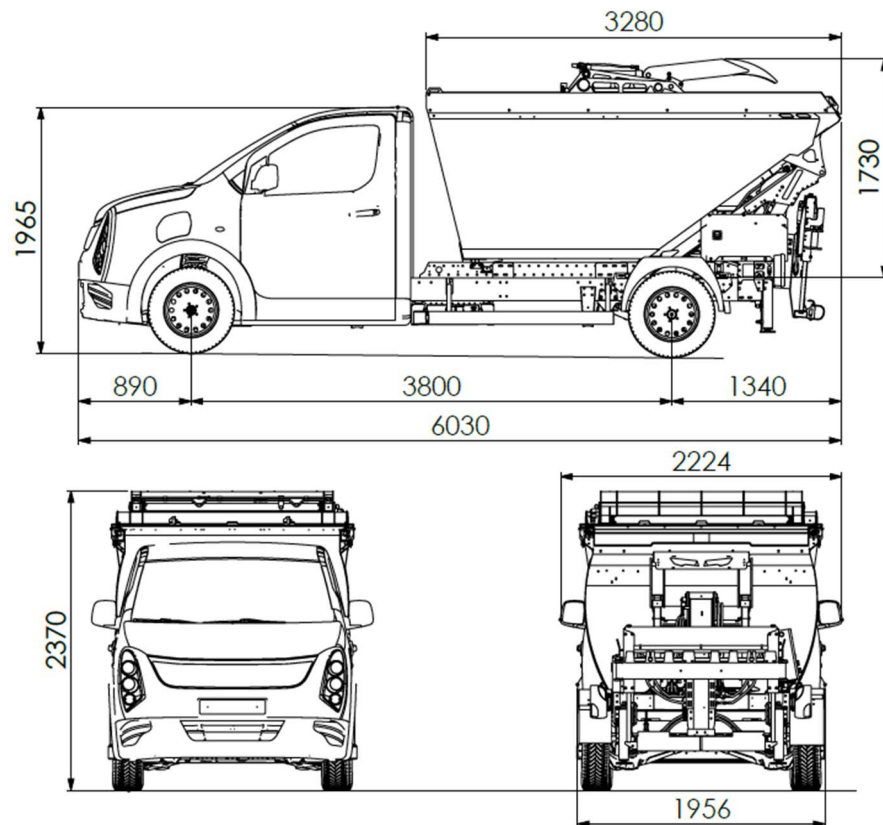
Beeway is a trademark of LMI, a company registered at Le Mans Trade and Companies Register : 878 757 111  
LMI 20 rue Wilbur Wright, 72230 Mulsanne France

Contact: +33 2 49 54 06 64 [contact@beeway.eu](mailto:contact@beeway.eu) [www.beeway.eu](http://www.beeway.eu)

Version 1 – June 2024

This documentation is not binding. LMI reserves the right to amend the specifications and equipment of the vehicles with no prior notification

## Dimensions



## Beeway

Beeway Model	B1.1	B1.2	B2	B3
Battery capacity	41 kWh	63 kWh	82 kWh	123 kWh
Length	6.03 m			
Width	1.96 m			
Height	2.37 m			
Gross vehicle weight	3t5			
Engine power	110 kW			
Max speed	90 km/h		110 km/h	
Range *	195 km	295 km	390 km	584 km
AC charge 9 kW**	3h30	5h30	7h30	11h
DC charge >100 kW**	36 mn	-	36 mn	44 mn

\*Autonomy calculated based upon a WLTP urban cycle and depending on working conditions and driving conditions

\*\* Charging time from 20 to 80% of battery capacity in standard temperature conditions. DC charger shall be able to deliver at least 100 kW